

Woodward

C A B I N E T R Y



CLASSIC
COLLECTION

OMNI
COLLECTION

Stock Program

Shaker Style Door | Partial or Full Overlay | All-Plywood Construction
Full Extension Drawer Guides | Soft-Close Doors & Drawers

PALMER  **DONAVIN**

Woodward

C A B I N E T R Y

CLASSIC COLLECTION

Partial Overlay



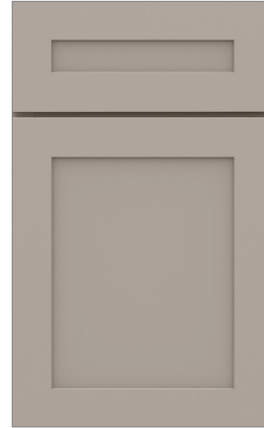
Bark



Snow

OMNI COLLECTION

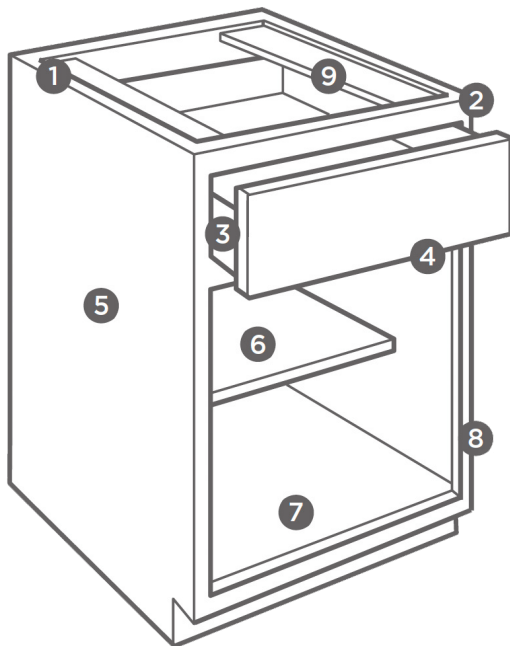
Full Overlay



Mineral

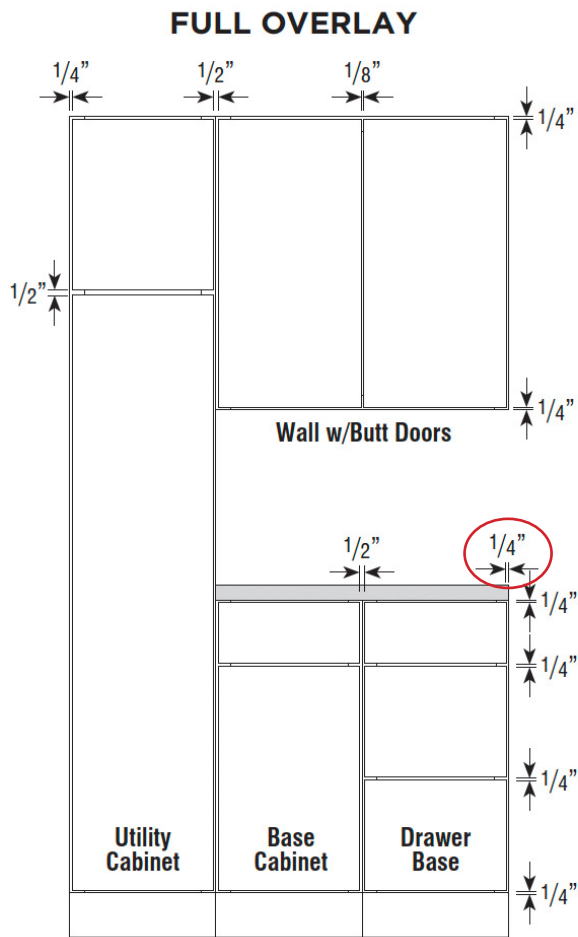


Snow

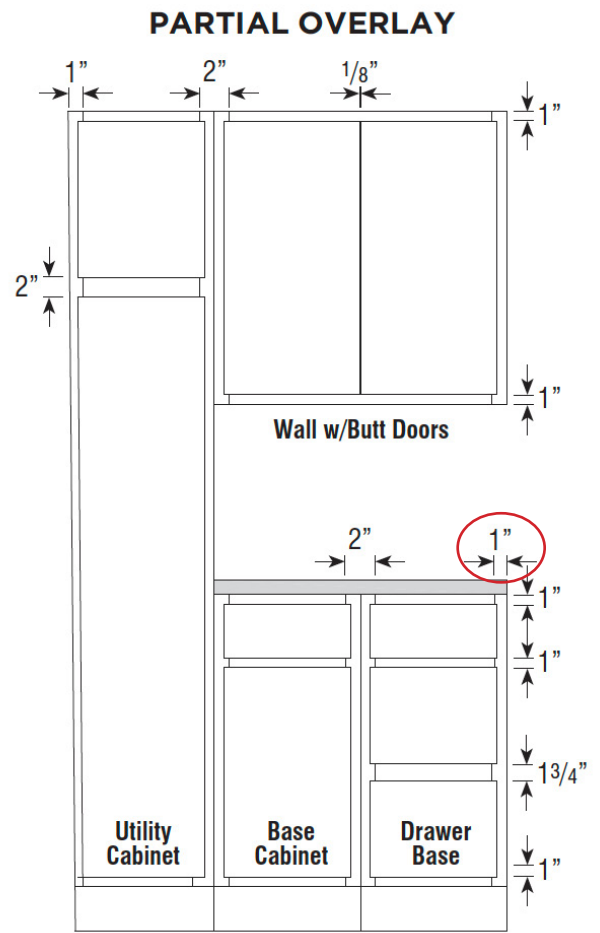


- 1 | 1/2" Plywood ends, 3/8" top, back, and bottom
- 2 | 3/4" Hardwood frame, doors and drawer fronts
- 3 | 5/8" Solid wood dovetail drawer box
- 4 | Soft-closing, undermount, full extension drawer guides
- 5 | Matching exterior
- 6 | 3/4" Plywood adjustable shelves with natural maple laminate
- 7 | Natural interior
- 8 | Soft-closing, 6-way adjustable hinges
- 9 | 3/8" Plywood I-beam braces

Full and Partial Overlay Specifications



1/4" reveal between door and end of cabinet



1" reveal between door and end of cabinet

Tips | Installation Guide

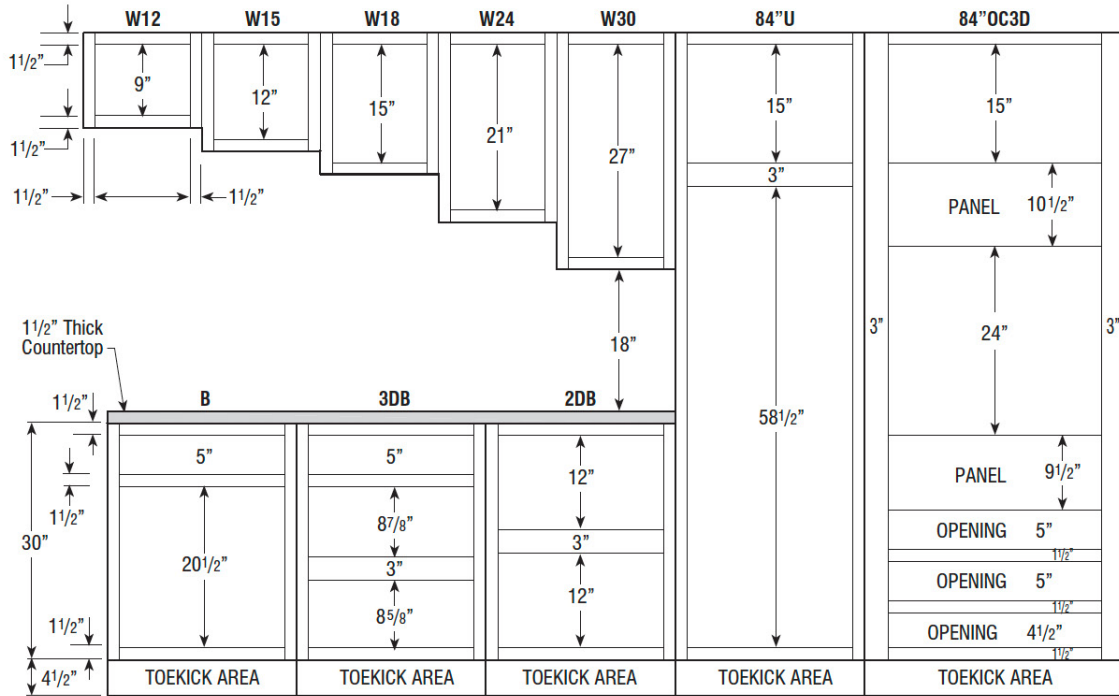
Clearances

- Add fillers between end cabinets and walls on full overlay styles.
- Allow space between door/window trim and end cabinets for countertop and top moulding overhang.
- Include refrigerator door hinges in overall refrigerator height when placing cabinets above it.

Cabinet Dimensions

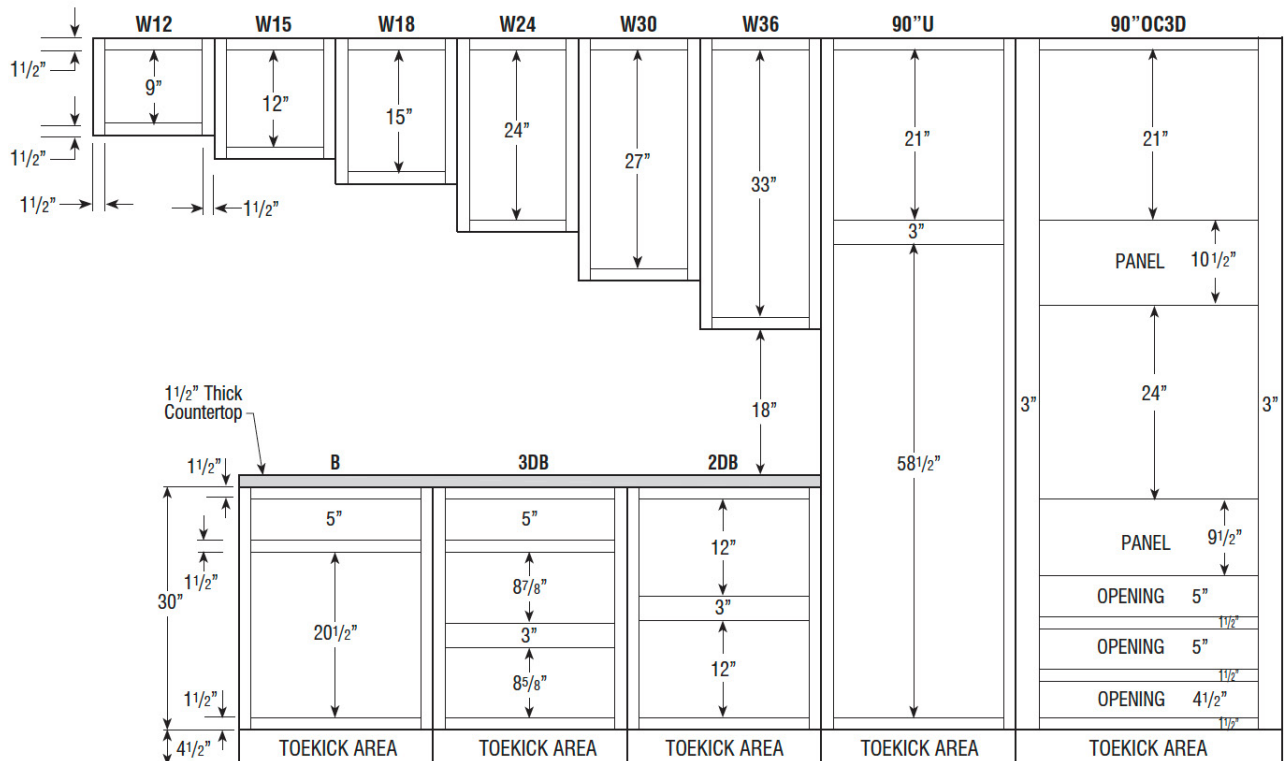
84" HIGH APPLICATION

Number after Wall Cabinet Represents Height of Cabinet



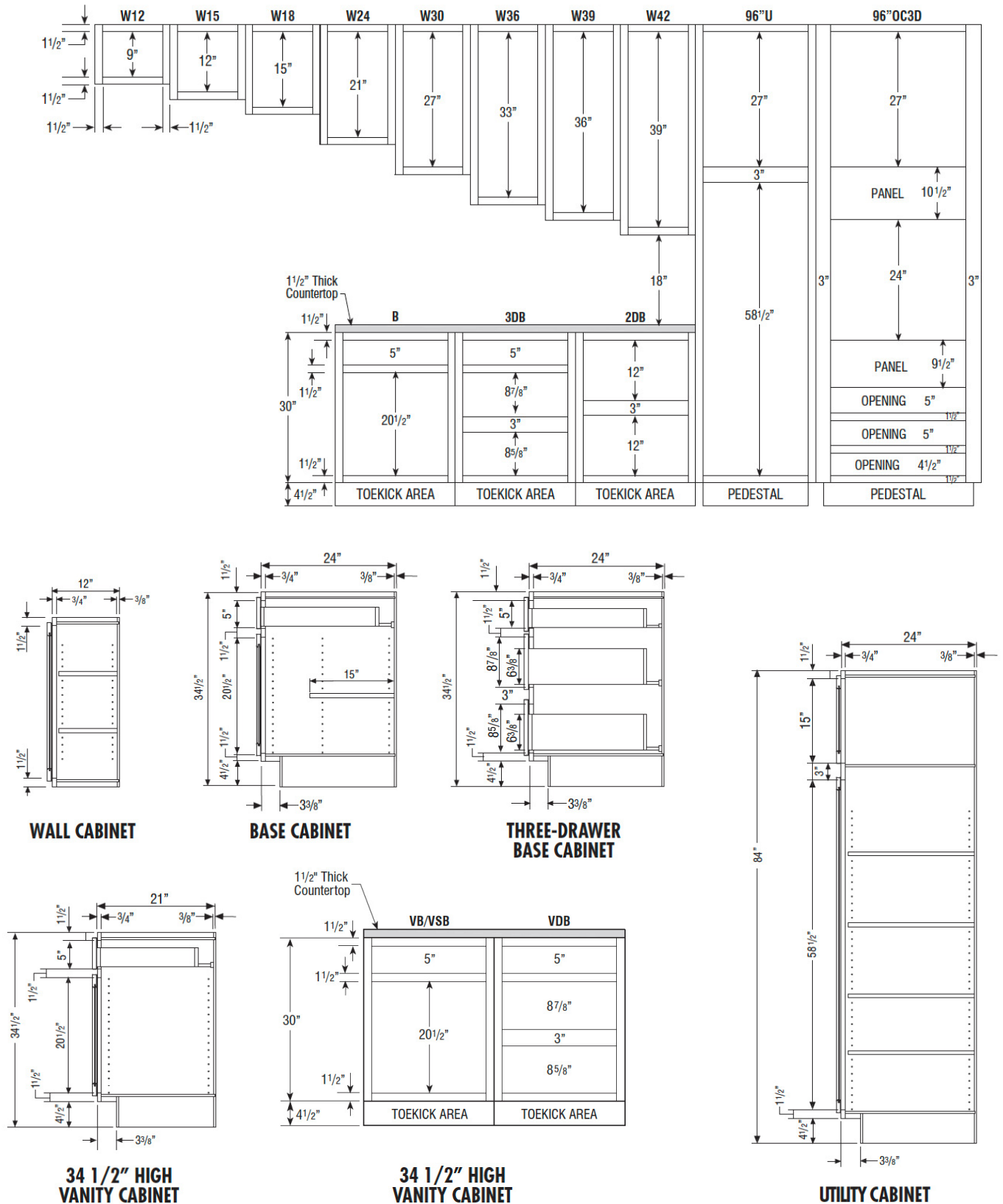
90" HIGH APPLICATION

Number after Wall Cabinet Represents Height of Cabinet



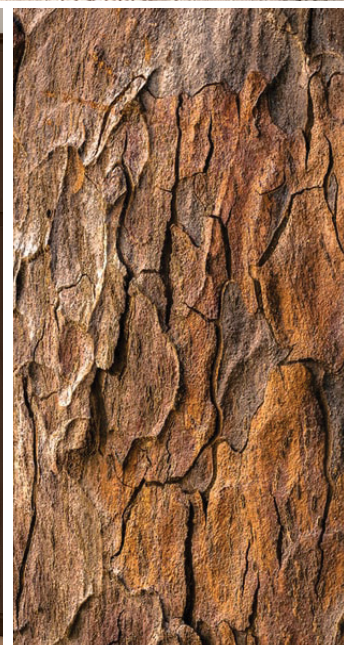
Cabinet Dimensions

96" HIGH APPLICATION Number after Wall Cabinet Represents Height of Cabinet



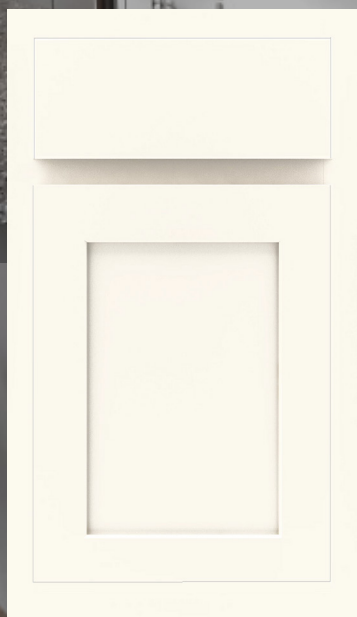
CLASSIC BARK

Partial overlay, all-plywood Shaker stained hardwood flat panel door with full extension soft close drawers and doors. This upgraded cabinet is competitively priced to fit most budgets.



CLASSIC SNOW

Partial overlay, all-plywood Shaker painted hardwood flat panel door with full extension soft close drawers and doors. This upgraded cabinet is competitively priced to fit most budgets.



OMNI MINERAL

Full overlay, all plywood Shaker painted hardwood flat panel door & 5-piece drawer front with full extension soft close drawers and doors. This upgraded cabinet is competitively priced to fit most budgets



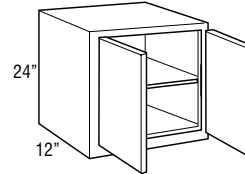
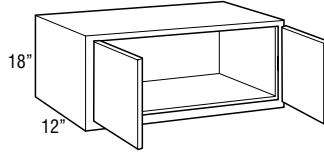
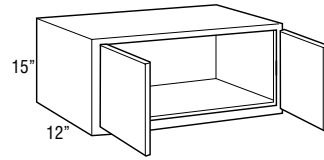
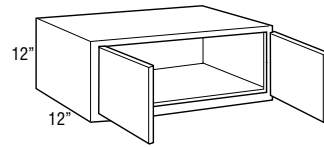
OMNI SNOW

Full overlay, all plywood Shaker painted hardwood flat panel door & 5-piece drawer front with full extension soft close drawers and doors. This upgraded cabinet is competitively priced to fit most budgets



Wall Double Door

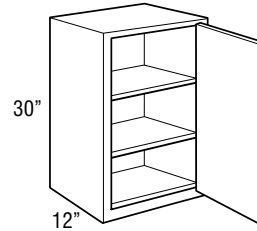
	Classic Bark Snow	Omni Mineral Snow
W3012	\$202	\$239
W3312	\$232	\$274
W3612	\$268	\$317
W3015	\$242	\$286
W3315	\$264	\$311
W3615	\$289	\$339
W3018	\$289	\$339
W3618	\$309	\$363
W3024	\$322	\$378
W3624	\$361	\$422



30" High Wall Single Door

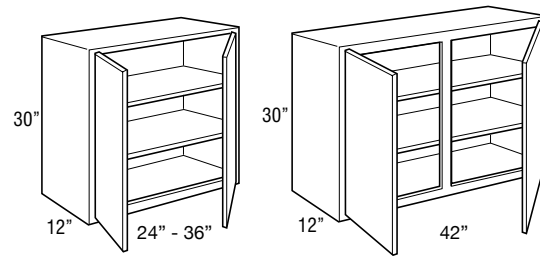
	Classic Bark Snow	Omni Mineral Snow
W930	\$228	\$264
W1230	\$232	\$276
W1530	\$245	\$292
W1830	\$266	\$314
W2130	\$289	\$339

Cabinet may be flipped for left or right hinge application



30" High Wall Double Door

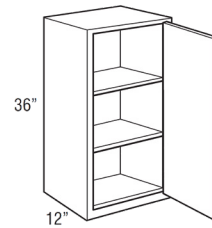
	Classic Bark Snow	Omni Mineral Snow
W2430	\$314	\$371
W2730	\$348	\$409
W3030	\$363	\$425
W3330	\$399	\$470
W3630	\$413	\$484
W4230	\$452	\$534



36" High Wall Single Door

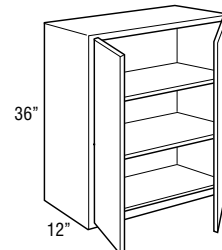
	Classic Bark Snow	Omni Mineral Snow
W936	\$261	\$303
W1236	\$274	\$319
W1536	\$283	\$336
W1836	\$309	\$363
W2136	\$336	\$394

Cabinet may be flipped for left or right hinge application



36" High Wall Double Door

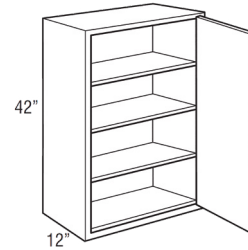
	Classic Bark Snow	Omni Mineral Snow
W2436	\$365	\$431
W2736	\$404	\$475
W3036	\$419	\$494
W3336	\$466	\$546
W3636	\$481	\$561



42" High Wall Single Door

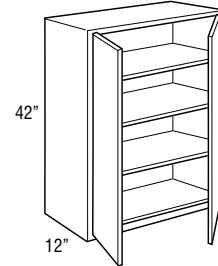
	Classic Bark Snow	Omni Mineral Snow
W942	\$294	\$345
W1242	\$309	\$363
W1542	\$330	\$384
W1842	\$351	\$413
W2142	\$382	\$450

Cabinet may be flipped for left or right hinge application



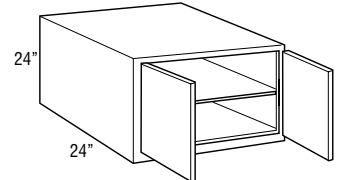
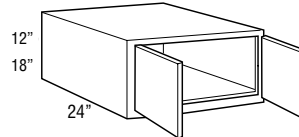
42" High Wall Double Door

	Classic Bark Snow	Omni Mineral Snow
W2442	\$413	\$484
W2742	\$455	\$573
W3042	\$481	\$561
W3342	\$529	\$619
W3642	\$542	\$639



24" Deep Wall Double Door

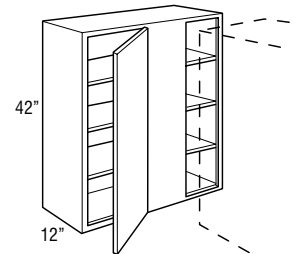
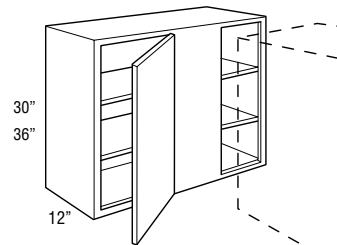
	Classic Bark Snow	Omni Mineral Snow
W361224	\$326	\$382
W361824	\$353	\$416
W362424	\$404	\$475



- 24" deep cabinets must be fully supported by screws installed in a structural member in the ceiling or soffit, and into adjacent cabinets.
- Load limit is 15 lbs. per square foot of load bearing surface.

Wall Corner Single Door

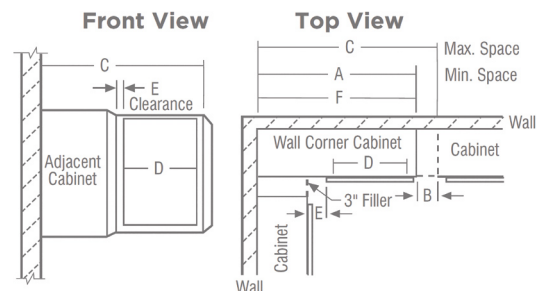
	Classic Bark Snow	Omni Mineral Snow
WC3030S	\$314	\$371
WC3630S	\$348	\$409
WC3036S	\$378	\$447
WC3636S	\$413	\$484
WC3042S	\$425	\$499
WC3642S	\$466	\$546



- Right blind shown; cabinet may be flipped for left blind application.
- Filler required for installation. Must be ordered separately.

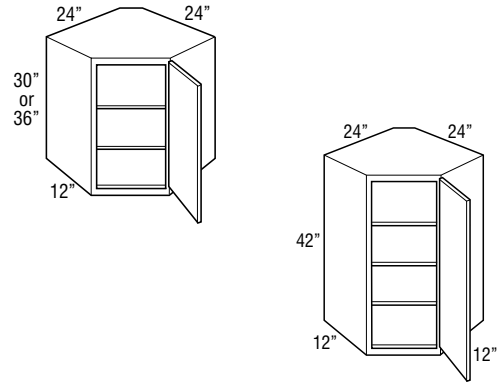
SKU	A Min. Space	B Max. Pull	C Max. Space	D Cabinet Opening	E Partial Overlay At Min.	F Partial Overlay At Max.	F Actual Cabinet
WC30...	30"	5"	35"	13-1/2"	2-1/2"	7-1/2"	30"
WC36...	36"	5"	41"	19-1/2"	2-1/2"	7-1/2"	36"

- Wall corner cabinets may be installed flush to the wall (left) or pulled 3" away from wall (right) to accommodate add dimensions in a kitchen design. In either case, the adjoining run of 12" wall cabinets plus a 3" filler will butt against the solid-wood panel.
- When a cabinet is "pulled" it will use proportionally more space, for example, a 30" wide WC, pulled 2" will use 32" of space.
- Blind side of wall corner cabinets cannot be installed next to a range hood unit due to door interference.



Diagonal Wall

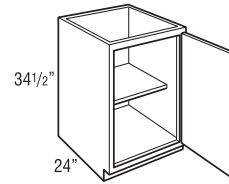
	Classic Bark Snow	Omni Mineral Snow
DW302424	\$363	\$425
DW362424	\$435	\$515
DW422424	\$524	\$617



- Cabinet hinged on the right; may be flipped for left hinge application.
- Cabinets require 24" x 24" of corner wall space.

Base Single Door

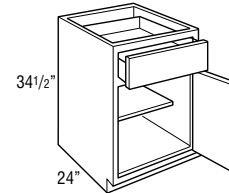
	Classic Snow	Omni Mineral Snow
B9FH	\$263	\$309



- Cabinet hinged on the right; may be flipped for left hinge application.
- Not available in Classic Bark

Base Single Door

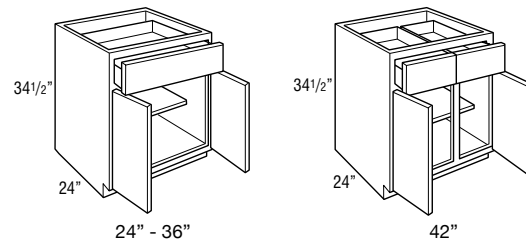
	Classic Bark Snow	Omni Mineral Snow
B9*	\$268	n/a
B12	\$292	\$342
B15	\$314	\$371
B18	\$339	\$399
B21	\$365	\$431



- Cabinet hinged on the right; door may be flipped for left hinge application.
- * Only available in Classic Bark

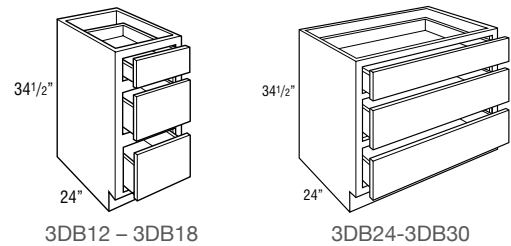
Base Double Door

	Classic Bark Snow	Omni Mineral Snow
B24	\$422	\$497
B27	\$455	\$537
B30	\$488	\$580
B33	\$531	\$622
B36	\$575	\$673
B42	\$619	\$728



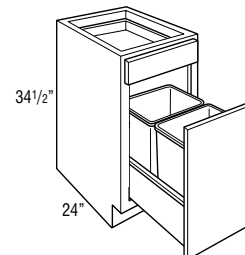
3 Drawer Base

	Classic Bark Snow	Omni Mineral Snow
3DB12	\$409	\$481
3DB15	\$447	\$524
3DB18	\$486	\$578
3DB24	\$590	\$692
3DB30	\$641	\$757



Base Wastebasket

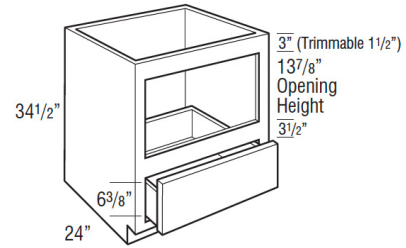
	Classic Bark Snow	Omni Mineral Snow
BWB18	\$556	\$658



- Pull-out features undermount full extension, soft-close guides.
- Includes two 35 quart gray wastebaskets.

Base Built-In Microwave Cabinet with Drawer

	Classic Bark Snow	Omni Mineral Snow
BBMWD30	\$613	\$725



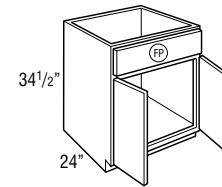
Model	Opening Width	Maximum Width	Opening Height	Maximum Height
BBMWD30	27"	28 1/2"	13 7/8"	16 7/8"

The usable cabinet face height between top of drawer front and top of cabinet is 19 1/8" for partial overlay and 19 3/4" for full overlay.

Be sure to verify overall appliance height, gap requirements, and cut-out dimensions with cabinet specifications.

Sink Base

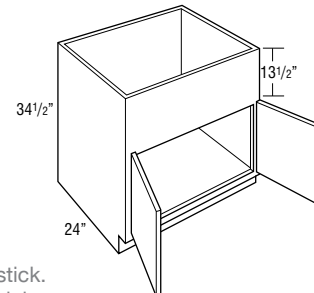
	Classic Bark Snow	Omni Mineral Snow
SB30	\$365	\$427
SB33	\$399	\$472
SB36	\$419	\$494



• Mini Touch-Up Kit (MTUK) included. MTUK includes small touch-up marker and small fill stick.

Country Sink Base

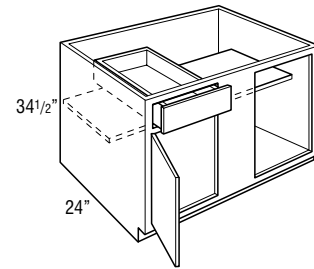
	Classic Bark Snow	Omni Mineral Snow
CNTYSB36	\$524	\$617



- 13 1/2" panel can be trimmed up to 12".
- Mini Touch-Up Kit (MTUK) included. MTUK includes small touch-up marker and small fill stick.
- Refer to manufacturer's recommendations for additional support required for apron front sinks.

Base Corner Single Door

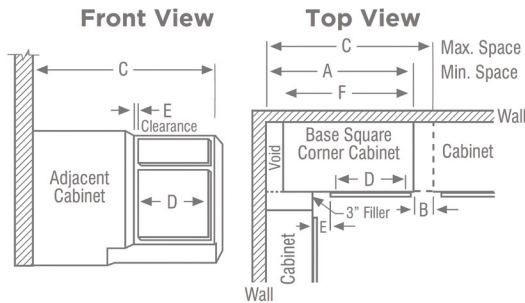
	Classic Bark Snow	Omni Mineral Snow
BC36S	\$399	\$472
BC42S	\$450	\$531



- Right blind shown; door and drawer can be reversed for left blind application.
- Filler required for installation. Must be ordered separately.

SKU	A Min. Space	B Max. Pull	C Max. Space	D Cabinet Opening	E Partial Overlay At Min. At Max.	F Actual Cabinet
BC36S	36"	6"	42"	7-1/2"	2-1/2" 8-1/2"	27"
BC42S	42"	6"	48"	13-1/2"	2-1/2" 8-1/2"	39"

- BCs use the wall space the nomenclature implies and may be pulled up to 3" to accommodate odd dimensions in a kitchen.
- Remember to use 3" filler on adjoining cabinets.
- The adjoining run of cabinets will cover the void.
- The L or R in the cabinet nomenclature indicates the location of the void to ensure clearance; it is not recommended to place BC cabinets next to 27" deep appliances.

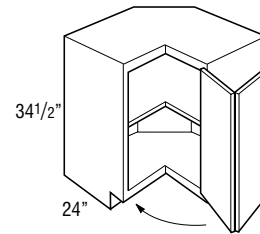


Base Easy Reach

	Classic Bark Snow	Omni Mineral Snow
BER36	\$662	\$778

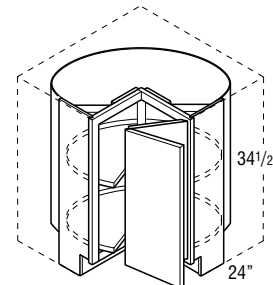
Due to the fixed shelves mounting shelves cannot be retrofitted.

- Wall width is 36" x 36".
- Decorative hardware screws must be countersunk to prevent scratching of adjacent cabinets and face frame of BER.
- Not recommended for use next to an appliance deeper than standard cabinet depth.
- Soft-close not available.
- Cabinet hinged on the right; door may be flipped for left hinge application.



Base Lazy Susan

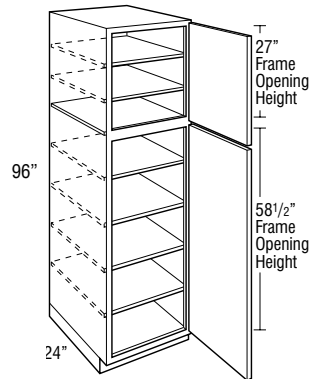
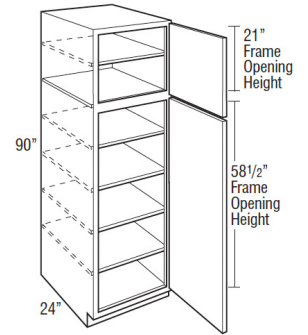
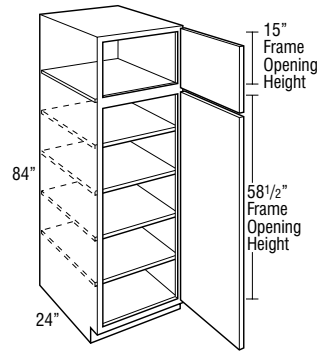
	Classic Bark Snow	Omni Mineral Snow
BLS36	\$595	\$701



- Wall width is 36" x 36".
- Cabinet is drum-shaped; adjoining cabinets create sides.
- Features two white plastic shelves.
- Decorative hardware screws must be countersunk to prevent scratching of adjacent cabinets and face frame of BLS.
- Not recommended for use next to an appliance deeper than standard cabinet depth.
- Soft-close not available.
- Cabinet hinged on the right; door may be flipped for left hinge application.

Utility Single Door

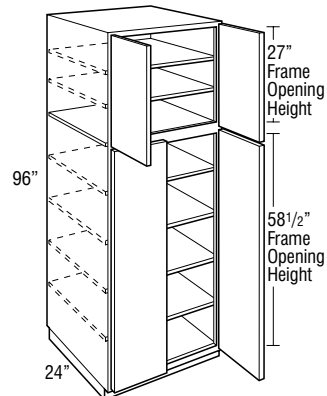
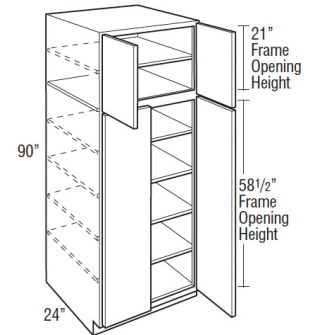
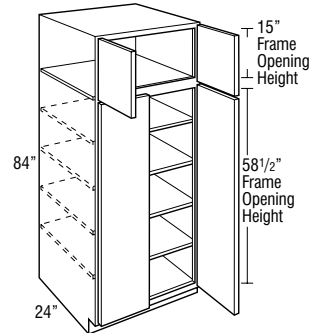
	Classic Bark Snow	Omni Mineral Snow
U188424	\$750	\$881
U189024	\$837	\$981
U189624	\$933	\$1,096



- Separate pedestal base included on 96" tall.
- Adjustable shelves are included.
- Cabinet hinged on the right; door may be flipped for left hinge application.

Utility Double Door

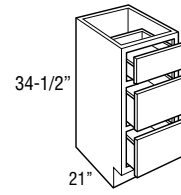
	Classic Bark Snow	Omni Mineral Snow
U248424	\$911	\$1,076
U249024	\$1,024	\$1,205
U249624	\$1,148	\$1,350



- Separate pedestal base included on 96" tall.
- Adjustable shelves are included.

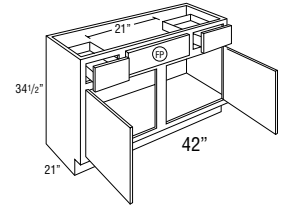
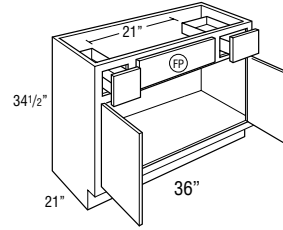
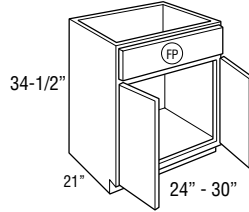
Vanity Drawer Base

	Classic Bark Snow	Omni Mineral Snow
VDB123421	\$397	\$466
VDB153421	\$435	\$512



Vanity Sink Base

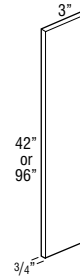
	Classic Bark Snow	Omni Mineral Snow
VSB243421	\$317	\$375
VSB303421	\$353	\$416
2VSD363421	\$542	\$639
2VSD423421	\$590	\$694



3" Fillers

	Bark Mineral Snow
F342	\$51
TF396FH	\$116

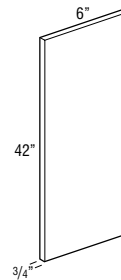
- 3/4" thick.
- Finished on front and all edges (backs are not finished).



6" Fillers

	Bark Mineral Snow
F642	\$95

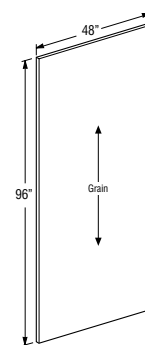
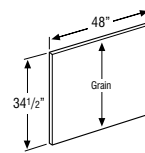
- 3/4" thick.
- Finished on front and all edges (backs are not finished).



Finished Back Skin

	Bark Mineral Snow
BP4834.514	\$84

- 1/4" thick laminated furniture board.
- Grain runs with 34.5".



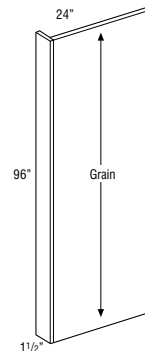
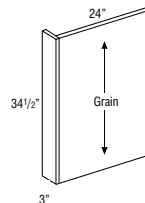
BP4896LAM14	\$184
-------------	-------

- 1/4" thick laminated furniture board.
- Grain runs with 96".

Base and Tall Panels with Filler Attached

	Bark Mineral Snow
BEPF3LAM	\$131
TEP2496F1.5	\$279

- 1/2" thick laminated furniture board.
- All panels have Natural Maple laminate interior.

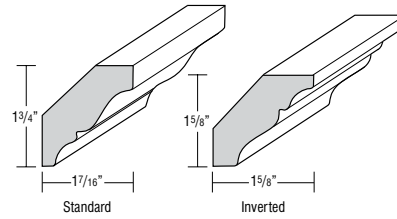


Crown Moulding, Solid Wood Crown

SWCRM8

Bark | Mineral | Snow
\$103

- Face mounts on Partial Overlay doors.
- May be face mounted on Full Overlay if used with a cleat.
- One 8' section.
- Moulding can be used as standard or inverted.

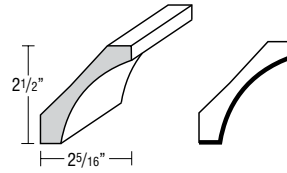


Crown Moulding, Small Cove Crown

SMCOVECROWN8

Bark | Mineral | Snow
\$167

- One 8' section.
- Finished edges indicated by bold lines on side view drawings.

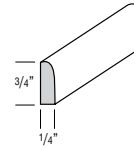


Accent Moulding, Small Scribe

SSM8

Bark | Mineral | Snow
\$41

- One 8' section.

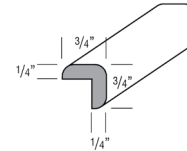


Outside Corner

OCM8

Bark | Mineral | Snow
\$59

- One 8' section.

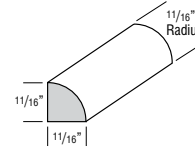


Corner Moulding, Quarter Round

QRM

Bark | Mineral | Snow
\$62

- One 8' section.

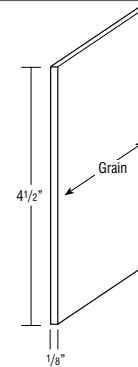


Toeboard

TB8LAM18

Bark | Mineral | Snow
\$34

- One 8' section.
- 1/8" laminated furniture board.

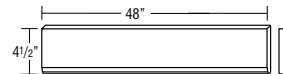


Straight Valance

VV48

Bark | Mineral | Snow
\$72

- Trimmable.
- Profiled bottom edge 3/4" thick.



Mini Touch-Up Kit

MTUK

Bark | Mineral | Snow
\$36

- Includes small touch-up marker and a small fill stick.



Woodward C A B I N E T R Y

Painted Wood Cabinet Finish

It is important to realize that the beauty of wood cabinetry comes from the natural qualities of wood itself. Woodward Cabinetry utilizes only select solid hardwoods and veneers. The beauty of these genuine woods lies in the variation of the grain. The textures of those natural grain patterns often remain visible with Painted Hardwood finishes and should be accepted as inherent characteristics when selecting painted cabinetry.

Seam lines and hairline cracking at stile, rail and panel joints are a normal characteristic of painted finishes and should not be considered a reason for product replacement. When ordering Painted Hardwood 5-piece styles, the door's center panel will be constructed of MDF material. Over time, there may be a slight color shift in the Painted Hardwood finish due to the continued exposure to natural and artificial light sources. We mention these characteristics because neither Woodward Cabinetry nor Palmer-Donavin can be responsible for these conditions and variations.



Example of front joint separation



Example of front joint separation



Example of end joint separation

Warranty for Your Cabinets

Limited Five Year Warranty (Residential Purchaser)

MasterBrand Cabinets, Inc. (“We” or “Us”) extends the following limited Five Year warranty (“Limited Warranty”) on Cabinets and Lifetime Limited Warranty on Drawer Guides and Hinges to the first Residential Purchaser (“You” or “Your”) of a cabinet or vanity manufactured by Us (each, a “Product”). This Limited Warranty is only applicable to Products sold to the first Residential Purchaser and used in the applications described below within the United States and Canada. Except as allowed below or by applicable law, You may not assign or transfer this Limited Warranty.

Who is a Residential Purchaser?

Under this Limited Warranty, a “Residential Purchaser” means any of the following:

- a person who purchases and installs the Product in a dwelling that is owned and used by that person as a primary or secondary home;
- any person or business such as a builder, contractor or developer that purchases and installs the Product in a newly constructed or remodeled dwelling that will be used by the initial owner/purchaser of that dwelling as a primary or secondary home. In such situation, this Limited Warranty may be assigned to the initial owner/purchaser who uses the dwelling as a primary or secondary home.
- a consumer subject to the Quebec Consumer Protection Act.

Under this Limited Warranty, a primary or secondary home does not include rental property. This Limited Warranty does not apply to landlords, leasing companies or other commercial purchasers. (See Commercial Warranty)

What Does This Limited Warranty Cover?

Subject to the exclusions and limitations set forth in this Limited Warranty, We warrant to You that each Product will be free from defects in material and workmanship, under normal use and maintenance, for the applicable warranty period stated below. This warranty gives You specific legal rights, and You may have other rights which vary from State to State or Province to Province.

What is the Warranty Period Applicable to Residential Purchasers?

The warranty period for Your Product (excluding certain components discussed in the following paragraph) begins on the date the Product was purchased, whether purchased by You or by a third party on Your behalf. Your warranty is only valid if you use the dwelling as your primary or secondary home and does not extend to future owners if the property is sold.

Notwithstanding the preceding paragraph, the warranty periods applicable to the following Product components that were not originally manufactured by Us are as follows:

- Vent Hoods, Blowers, and components: 1 year from the date of original purchase
- Lighting, Electronic, and Powered components: 2 years from the date of original purchase.
- Decorative Hardware: 5 years from the date of original purchase.

DISCLAIMER OF OTHER WARRANTIES: IF YOU ARE A CONSUMER SUBJECT TO THE QUEBEC CONSUMER PROTECTION ACT, THE EXCLUSION OF WARRANTIES CONTAINED IN THE IMMEDIATELY FOLLOWING PARAGRAPH DO NOT LIMIT YOUR RIGHTS AND REMEDIES UNDER SUCH ACT, INCLUDING THE RIGHT TO MAKE A CLAIM UNDER ANY OF THE STATUTORY WARRANTIES PROVIDED UNDER SECTIONS 34 TO 54 OF SUCH ACT. CERTAIN OTHER STATES OR PROVINCES DO NOT ALLOW LIMITATIONS ON HOW LONG AN IMPLIED WARRANTY LASTS, SO THE BELOW LIMITATION MAY NOT APPLY TO YOU.

THIS LIMITED WARRANTY IS OUR SOLE AND EXCLUSIVE WARRANTY WITH RESPECT TO THE PRODUCTS. ALL IMPLIED WARRANTIES ARE STRICTLY LIMITED TO THE DURATION OF THE LIMITED WARRANTY APPLICABLE TO THE PRODUCT AS STATED ABOVE, INCLUDING BUT NOT LIMITED TO, ANY WARRANTY OF MERCHANTABILITY OR OF FITNESS FOR A PARTICULAR PURPOSE.

What This Limited Warranty Does NOT Cover: The Limited Warranty does not apply to any Product:

- installed or used outdoors;
- used for purposes for which it is not designed or intended by Us;
- which has been subjected to misuse, vandalism, abuse, negligence, accident, or unauthorized modifications;
- which has been improperly stored (if the Product must be stored, it should be covered and stored in a humidity and temperature controlled environment, away from direct sunlight);
- which has been improperly installed, cleaned, or maintained (for more information regarding the proper use and care of the Product, please consult the applicable Use and Care Instructions that accompanied the Product or that can be found at www.masterbrand.com/care-and-cleaning);
- which has been subjected to improper temperature, moisture and/or humidity extremes (temperature outside the range of 50-85°F (10-29°C) and humidity outside the range of 30-55% are considered extreme);
- damaged by fire, flood, acts of God, or other external causes beyond our control;
- varying in color and characteristics due to age, sunlight, smoke, or other environmental conditions;
- exhibiting any effects on the color and/or integrity of the finish or appearance due to the use of abrasive cleaners, cleaners that contain chlorine, acidic cleaners, scuffing sponges or steel wool; and/or
- exhibiting normal wear and tear.

In addition, natural woods may vary in color and characteristics and exhibit subtle changes as they age. For example, painted doors, drawer fronts, and face frames may eventually have visible cracking around the joint area, and cabinet colors may darken or lighten over time. These variations are considered to be the nature of the material in relation to their environmental exposure and are not covered under this Limited Warranty.

Sole and Exclusive Remedy:

In the event of a defect in the workmanship or materials of a Product or Product component occurring during the warranty period described above, We will, at our option, repair or replace any defective Product or Product component; provided, if it is not commercially feasible to repair or replace a defective Product or Product component, We may refund the original price paid by You for the defective Product or Product component, or provide a credit towards a similar type of product sold by Us. The foregoing are Your sole and exclusive remedies for any Product defect or non-conformity. By way of example but not limitation, the following costs and expenses are not covered by this Limited Warranty: (1) labor costs for the original installation, removal, or reinstallation of the Product, or defective part thereof; (2) labor costs or material charges for the removal, reinstallation, repainting, refinishing or replacement of any other items or building materials which must be removed, replaced, reinstalled, or refinished in order to repair or replace the defective Product or component. For example, costs associated with the following will not be reimbursed: counters, sinks, tiles, flooring, accessories,

appliances or plumbing fixtures. When a claim for warpage, joint separation or wood growth is submitted, We may, at our option and after inspection, defer action for up to 12 months to allow the Product to acclimate to the installed environment. Further, We reserve the right to modify or alter any Product design, specifications or materials without obligation to make similar changes to Products previously manufactured or sold by Us.

The repair or replacement remedies offered by Us under this Limited Warranty are contingent on the current Product offerings of styles and construction options within our Product line at the time a warranty claim is made by You. If a valid warranty claim is filed for an obsolete Product, We reserve the right, at our sole option, to honor its repair or replacement obligations under this Limited Warranty by either: (1) replacing the affected Product or component with a new Product or component of the same or approximate style or color from our current Product line or offerings; or (2) replacing the affected Product or component to achieve a uniform appearance with a similar or comparable product style or approximate color of the originally purchased style. If a Product or components are replaced or repaired, We cannot guarantee an exact match with the finish or appearance of other products or fixtures installed at Your dwelling. This is due to changes that may occur during the Products' natural aging process, affecting its color and/or grain.

Limitation of Liability:

If You are a consumer subject to the Quebec Consumer Protection Act, the limitations of liability contained in the immediately following paragraph do not release Us from the consequences of our own actions or the actions of our representatives. Certain other States and Provinces do not allow the exclusion or limitation of incidental or consequential damages, so the below limitation or exclusion may not apply to You.

The remedies described above are Your sole and exclusive remedies and our entire liability for any breach of this Limited Warranty. Our total liability shall under no circumstances exceed the actual amount paid by You for the defective product. Further, We shall not under any circumstances be liable for any consequential, indirect, incidental, special or punitive damages or losses (including lost profits), even if this Limited Warranty is deemed to have failed of its essential purpose.

How Do You Obtain Warranty Service?

This Limited Warranty can also be found online at www.aristokraft.com/warranty [or/and] in the documentation that accompanied Your Product. To obtain more information regarding the Product or to make a claim under this Limited Warranty, contact one of our authorized dealers or distributors, who will arrange for inspection of the Product. A dated sales receipt as proof of purchase is required to obtain benefits from this Limited Warranty. If you have difficulty obtaining assistance, please write to:

MasterBrand Cabinets, Inc.
Attn: Consumer Affairs
One MasterBrand Cabinet Drive
P.O. Box 420
Jasper, IN 47547-0420

Installation Instructions for Framed Cabinetry

WARNING: The use of nails (versus screws) voids factory warranty, written or implied.

Tools Needed:

- Pencil
- Level
- Tape Measure
- Drill with 3/32" Bit
- Stud Finder
- Clamps
- Square
- Phillips Head Screwdriver and drill driver bit

Materials Needed:

- Wood Shims
- 2½" Trim Head or Flat Head Wood Screws
- 2" Trim Head or Flat Head Wood Screws and drill driver bit (utilized for DC2430 ONLY)
- 2½" Round Washer Head Screws



> **Helpful Hint:** Read through these instructions carefully before starting your project to become familiar with all the steps

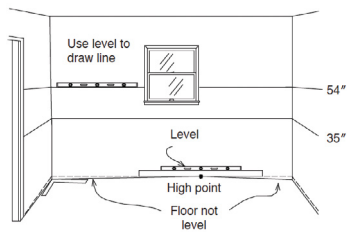
Before starting the installation

These instructions are intended as supplemental reference for those who have the appropriate skills and experience to safely and successfully install cabinetry, including familiarity with basic carpentry principles and safe and proper tool use. Wall framing and construction can vary greatly, and these instructions may not describe all construction methods. Also, there may be electric, plumbing, gas lines or other utilities behind the wall, for which contact must be avoided during installation. If for any reason after reading these instructions you do not feel confident in the ability to safely and successfully install this cabinetry, please contact a licensed contractor for installation. MasterBrand Cabinets is not responsible for improper installation or property damage.

WARNING: Electric, plumbing, gas lines and other utilities, are frequently installed or embedded behind walls where cabinets are being installed. Before drilling any holes or driving any screws, be sure you will not be making contact with any of these utilities. Failure to follow these instructions may result in property damage and serious or fatal injury. If you do not feel confident in your ability to insure that you will not make contact with utilities behind a wall during installation, please contact a licensed contractor to install the cabinets.

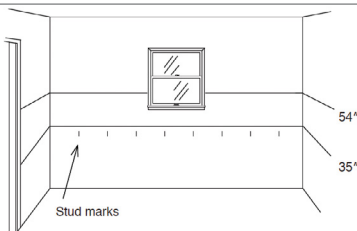
Step 1: Inspect New Cabinets

All cabinets are subjected to quality inspections before leaving the factory, and have been carefully packaged to prevent damage during shipping and handling. Unfortunately, damage may occur occasionally in handling between the factory and the final destination. Inspect each cabinet carefully. If damage is discovered, place the cabinet back into the carton and notify retailer of purchase.



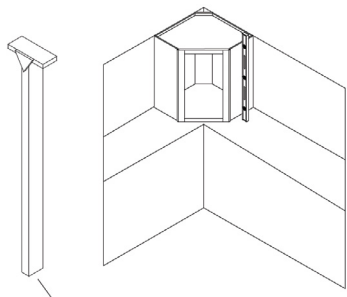
Step 2: Determine Cabinet Placement

Remove baseboard and other objects on the wall area where the cabinets are to be installed. Using a straight edge and a level, find the high point in the floor where the cabinets are to be installed. From the high point, mark a level horizontal line on each wall where the cabinets will be attached. From the level lines, mark additional parallel, level horizontal lines at 35" (or 34 1/2" if your product dictates) up and at 54" up for the top of base cabinets and bottom of wall cabinets. These lines will be used for alignment when installing the cabinets.



Step 3: Prepare for Cabinet Installation

Locate the studs with a stud finder and mark where the cabinets are to be installed. Remove all the doors, drawers and adjustable shelving from the cabinets before installation. This will reduce the weight and allow easier access during installation. Measure the area to confirm that the kitchen design used will work.



Step 4: Begin Wall Cabinet Installation

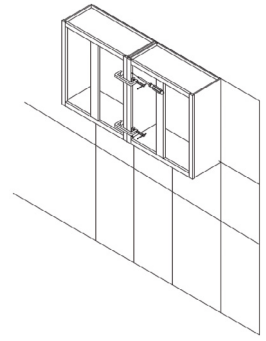
Start installing the wall cabinets in the corner (if applicable). Place the wall cabinet at the predetermined reference line. It is recommended to use a brace (example: t-brace) to help hold wall cabinets in place. Measure from the corner to the first wall stud mark. Transfer this measurement to the inside of the wall corner cabinet. Mark the placement of the next wall stud. Drill through the wall cabinet back into the prelocated wall studs with a 3/32" diameter drill bit, approximately 2" deep. The holes should be positioned 2" down from the inside top of the cabinet but should come no closer than 2" to any inside vertical edge of the cabinet. Cement, block, brick or tile walls will require anchors for screws or toggle bolts. These will need to be purchased separately if needed. Insert the 2½" round washerhead screws into the holes until they are nearly tight. Do not tighten the screws until all final leveling and shimming is completed as needed. Check the front, sides and bottoms of all wall cabinets with a level. After the cabinet is level and plumb, tighten the installation screws.

Example of brace used to aid in installing wall cabinets. Shown is a t-brace made of scrap 2x4s and 1x4. Place a piece of scrap carpeting over 1x4 to protect cabinet.

Step 5: Complete Wall Cabinet Installation

Continue the wall cabinet installation by placing the next cabinet on the wall at the predetermined reference, using clamps to clamp the cabinet face frames together firmly. Be careful to line up the bottom horizontal edges. With a 3/32" drill bit, drill starter holes through the face frames near the top and bottom. Insert and tighten the screws. (Note: Utilize 2" trim head or flat head wood screws if installing DC2430 cabinet). Check cabinet with a level on the cabinet front, sides and bottom. Shim where necessary. Once the cabinet is level and plumb, tighten all the installation screws and remove the clamps. Continue installing the rest of your wall cabinets in the same manner.

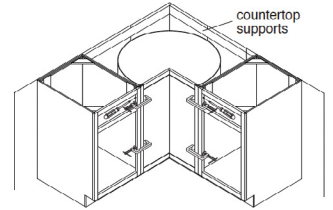
NOTE: If installing a single wall cabinet, follow instructions shown in Step #9 for proper installation.



Step 6: Begin Base Cabinet Installation

Once the wall cabinets have been installed, the base cabinets can then be installed. Start installing the base cabinets in the corner (if applicable). Using the clamps, align and join the cabinets together at the face frames. Make sure that the face frames align both on the face and vertically. Follow Step 5 for attaching face frames.

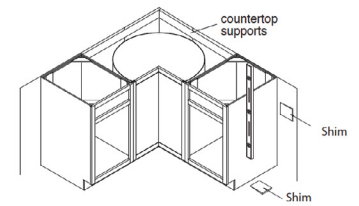
NOTE: For lazy susan cabinets, counter top supports must be added as shown.



Step 7: Level Base Cabinets

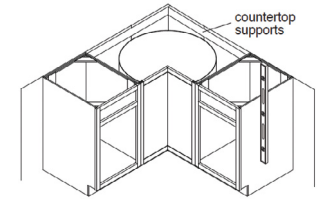
Check the cabinet, ensuring that it is level and plumb. Shim to fill uneven areas between the floor and base of the cabinet, and between the wall and the back of the cabinet. Failure to do this step could result in damage to the cabinet.

Drill through the cabinet back into prelocated wall studs with a 3/32" diameter drill bit, approximately 2" deep. The hole should come no closer than 2" to any inside vertical edge of the cabinet.



Step 8: Complete Base Cabinet Installation

Insert the 2 1/2" round washerhead screws into the holes until they are nearly tight. Make sure the back is fully supported with shims as needed, and does not bow into any imperfections in the wall. Ensure the cabinet is level and plumb and adjust as needed. Tighten the screws fully, and recheck to verify that the cabinets are level and plumb.



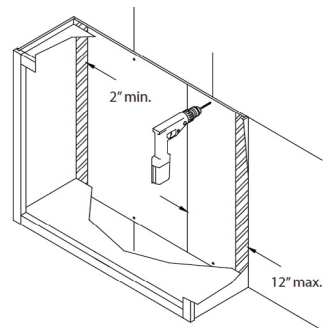
Step 9: Install Single Wall Cabinets

Follow Steps 2 & 3 for preparing the wall for the single cabinet. The cabinet should be located on the wall, so that the prelocated studs that will be used for attachment do not fall within 2" of the inside vertical edges of the cabinet. Ensure that the cabinet is level and plumb and shim to fill uneven areas between the wall and the back of the cabinet. Failure to do so could result in damage to the cabinet.

Pay close attention to the locations that the cabinet will attach to the wall, making sure that there are no voids. Drill through the cabinet back or hanging rails, into prelocated stud(s) using a 3/32" diameter bit, 2" deep in a minimum of 4 places. The holes should be no closer than 2" and no further than 12" from any inside vertical edge. The holes should also be located at the top and bottom of the back. The use of 2 1/2" round washer head screws is required. Cement, block, brick or tile walls will require anchors for the screws. These will need to be purchased separately if needed.

Insert screws into the holes until they are nearly tight. Make sure that the cabinet back is fully supported with shims as needed, and does not bow with any imperfections found in the wall. Confirm that the cabinet is level and plumb, adjust as needed. Tighten the screws down and recheck that the cabinet is level and plumb.

IMPORTANT: Structural modifications of a wall cabinet can significantly weaken the cabinet. For this reason modifications are not recommended, such as cutting the back to clear wall obstructions. If an obstruction exists, we suggest you first try to use cabinet(s) that do not require modifications. If modification is required, the warranty of the cabinet is void and it is the responsibility of the installer to take appropriate steps to compensate for any loss of strength or support due to the modification.



Step 10: Completing the Installation and Alignment

After cabinets are securely installed to the walls, reinstall all doors, drawers and adjustable shelving. Next, check each door and drawer for proper alignment.

Example: If the drawer front does not lie flush against the face frame, check that the cabinet is level, both horizontally and vertically. It may be necessary to realign the drawer guides as well. The drawer guides can be adjusted side to side by moving the slide member by hand and making the necessary adjustments until the drawer lies flush against the face frame of the cabinet.

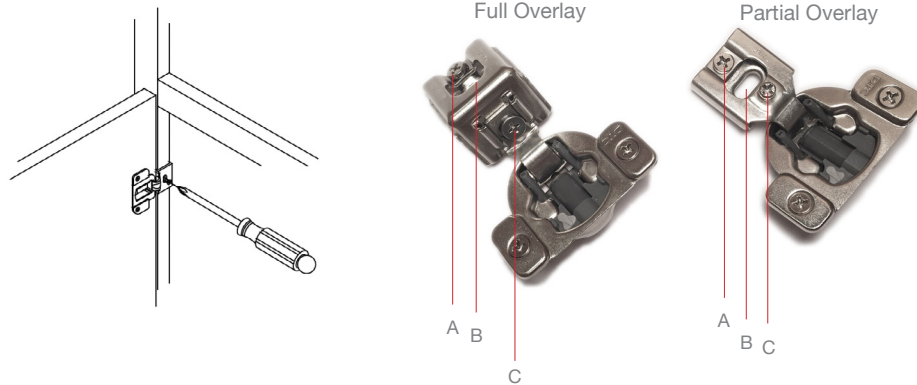
IMPORTANT: All doors and drawer fronts must be aligned prior to decorative hardware installation.

Cabinet Care and Maintenance

6-Way Hinge Adjustment

The hinges can be easily adjusted “up and down” by loosening the hinge screws attached to the face frame. Slide the door up or down until aligned and tighten the screws. The hinges can also be adjusted “side to side” and “in and out”.

See below



A. In & Out Adjustment

For bowed and warped doors. (See illustrations below.)

B. Up & Down Adjustment

For misaligned doors. Loosen screws, adjust, then re-tighten screws.

C. Side to Side Adjustment

For gaps between double doors. Clockwise to adjust out, counter clockwise to adjust in.

Trouble Shooting Guide: Problems You Can Handle

Even though your cabinets must pass rigid quality inspection procedures, irregularities arise as a result of shipping and handling procedures. Also, certain errors during the installation process may cause problems that are not the fault of the cabinet manufacturer. Listed below are several conditions and causes, as well as remedies for those situations.

Problem	Possible Cause	Solution
Cabinet doors do not align vertically (up and down).	A hinge is twisted or the cabinet is out of alignment or “racked.”	Make sure the cabinet is plumb and level. Adjust the door hinges.
Double Doors on a wall or base cabinet do not line up.	This could be the result of improper cabinet installation. The cabinet is out of alignment and is not set level and square (plumb).	Loosen the cabinet from the wall and use shims to properly square up the cabinet. Adjust the door hinges.
Space between the two adjoining doors is too great.	A hinge is out of adjustment.	Adjust the door hinges.
Cabinet drawer does not close evenly.	Drawer alignment is poor.	Manually adjust the drawer guide member.



800.652.1234

palmerdonavin.com